

Hopup Dimension Kit 03

DIMENSION KIT 03: HOP-DIM03-4X3FGE-S

ACCESSORY 03: HOP-DIM03

Hopup™ Backwall Dimensions add style, flare and funtion to any 7½' or 10' wide Hopup straight display. Easily accessorize your Hopup with monitor mounts, counters, tables, and more messaging real estate. Purchase as a complete kit or as an accessory for your existing straight Hopup. Dimensional elements can be placed in the middle, left or right sides of the display.



DIMENSION KIT 03:
HOP-DIM03-4X3FGE-S



ACCESSORY 03:
HOP-DIM03

features and benefits:

Dimension Kit 03 includes:

- 10' wide full height straight backwall
- Accessory counter with monitor mount, fabric printed graphic and literature holder
- Two Lumina 200 lights

- **Accessory 03 includes:** stand-off counter with fabric printed graphic, literature holder and monitor mount
- Monitor* mount supports 40"; 50 lbs max
- Counter top holds max weight of 35 lbs
- Lifetime limited hardware warranty against manufacturer defects

dimensions:

Hardware:

Assembled unit:
118.75" w x 91" h x 36.375" d
3016.25mm(w) x 2311.4mm(h) x 924mm(d)

Stand-off counter:
34" w x 90.375" h x 11.25" d
863.6mm(w) x 2295.5mm(h) x 285.75mm(d)

HOP-DIM03-4X3FG-S Weight:
68 lbs / 30.84 kgs

HOP-DIM03 Weight: 39 lbs / 17.69 kgs

Carry bag: 2 lbs / .9 kgs

Shipping:

Shipping dimensions - ships in two boxes:

Dimension Kit 03: 36" l x 15" w x 13" h
914mm(l) x 381mm(w) x 330mm(h)

Shipping dimensions - ships in one box:

Accessory 03: 40" l x 17.5" w x 6.625" h
1016mm(l) x 144.5mm(w) x 168.3mm(h)

Shipping weight:

Dimension Kit 03 (boxes): 70 lbs / 31.75 kgs
OCP2 upgrade: 110 lbs / 49.9 kgs

Accessory 03 (boxes): 41 lbs / 18.6 kgs
OCP2 upgrade: 76 lbs / 34.5 kgs

Graphics:

Total visual area:
142.5" w x 89.5" h
3010mm(w) x 2273mm(h)

Stand-off counter graphic:
28.5" w x 35.25" h
724mm(w) x 895mm(h)

Please be sure to include a 2" bleed around perimeter

Refer to related graphic template for more information.

Visit exhibitors-handbook.com/graphic-templates

additional information:

Counter holds max weight of 35 lbs

Monitor* mount supports 40" monitor, max weight = 40 lbs

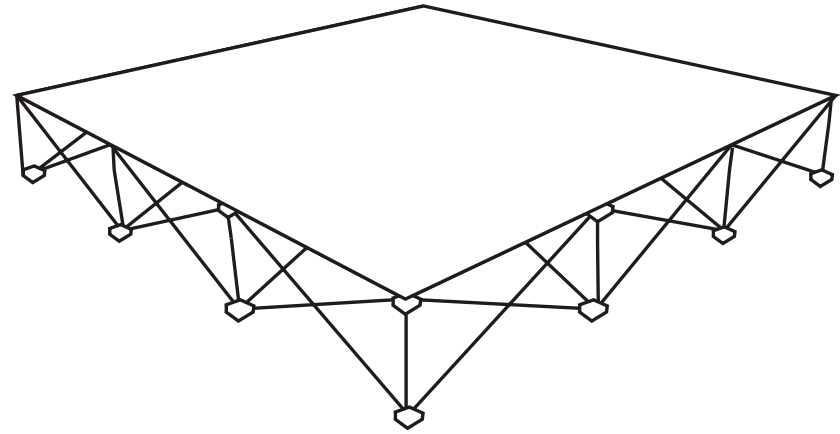
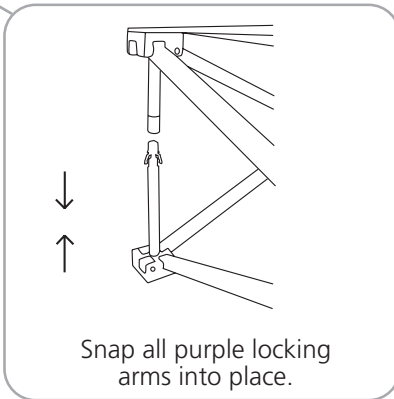
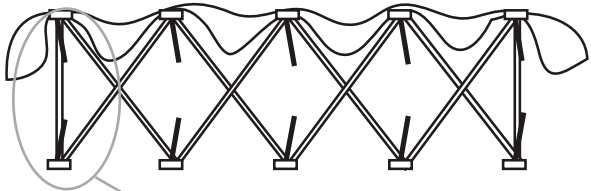
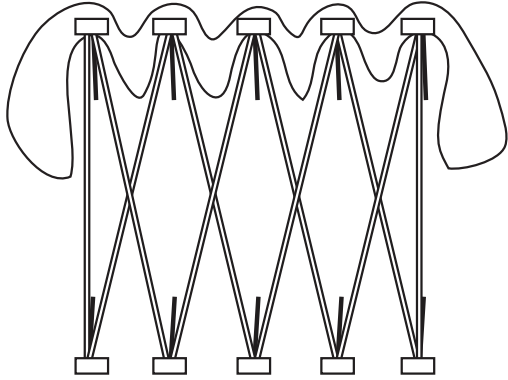
*Monitor not included

Accessory 03 HOP-DIM03 does not include backwall frame or lights

We are continually improving and modifying our product range and reserve the right to vary the specifications without prior notice. All dimensions and weights quoted are approximate and we accept no responsibility for variance. E&OE. See Graphic Templates for graphic bleed specifications.

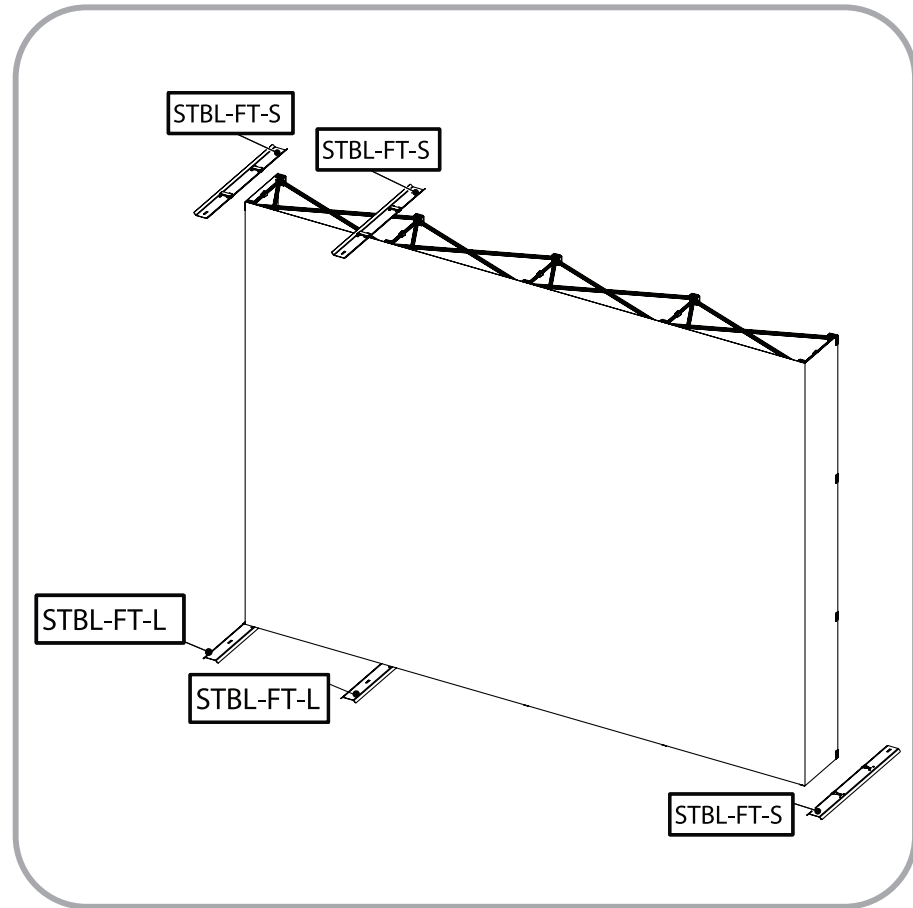
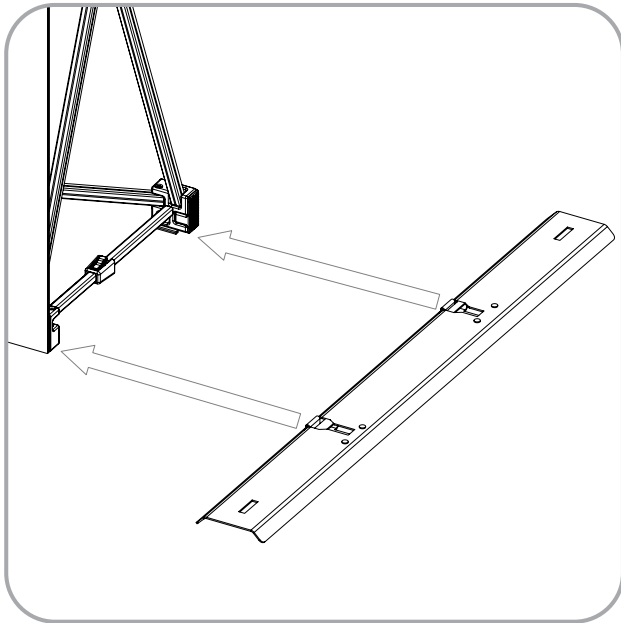
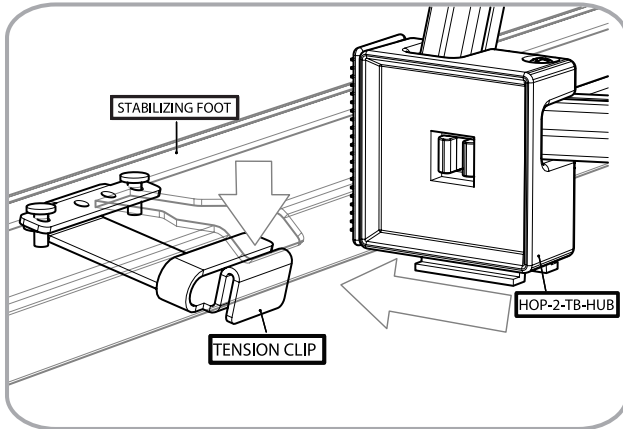
STEP 1: ASSEMBLE FRAME

Remove unit from rolling bag. Stretch frame to size, making sure webbing is not wrapped around purple locking arms. Pull frame outward and align purple locking arms. Snap all purple locking arms into place. Graphic comes pre-attached to Hopup frame. If unit has endcaps, attach endcaps to frame with Velcro.



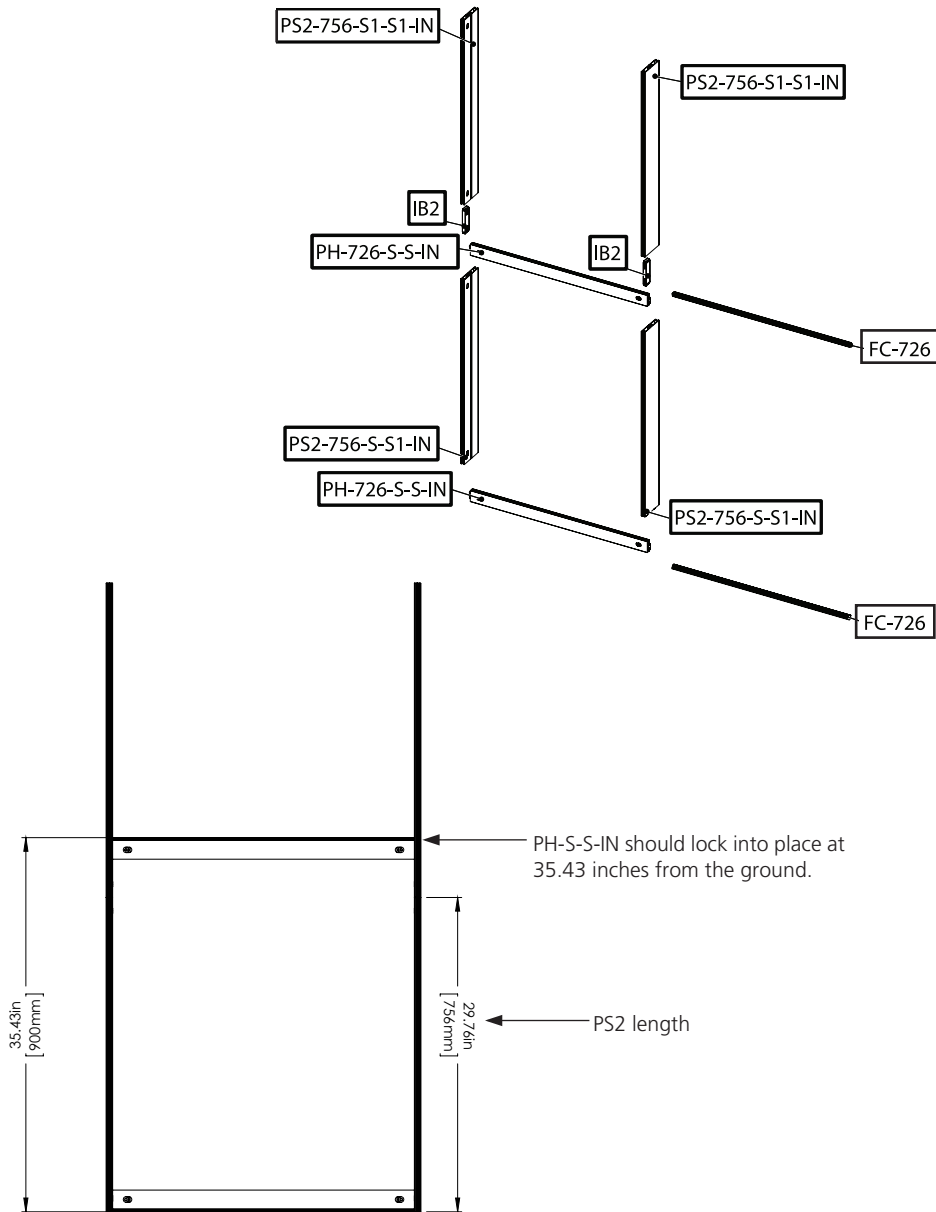
STEP 2: ATTACH STABILIZER FEET

Flip Hopup on side to access bottom hubs. Start with the largest end of the opening and slide stabilizer foot over both hubs. Feet will fit snugly. Push down on the tension clip to insert the hub into the stabilizing foot. Stabilizing feet will securely snap lock onto hubs. To release foot press tab and slide. Attach the large stabilizing feet on bottom. Then, attach the three smaller stabilizing feet (labelled call outs in the image at the right).



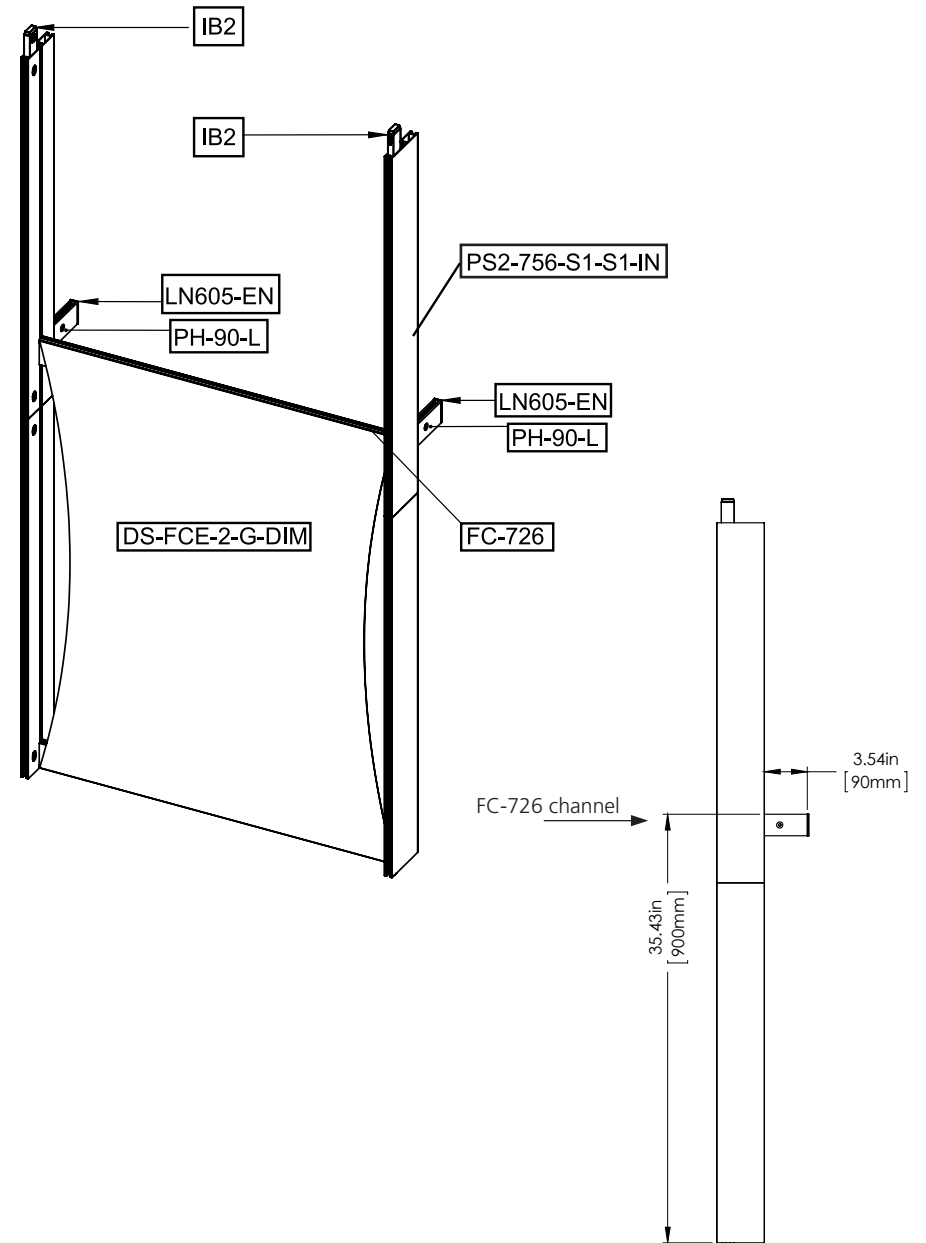
STEP 3: ASSEMBLE COUNTER FRAME

Insert IB2 into hole locations on PS2-756-S1-S1-IN. With Allen Key tool, turn one quarter turn to lock into place. Slide FC-726 into channel PH-726-S-S-IN. Then lock PH-726-S-S-IN into the internal channels on the PS2-756-S1-S1-IN.



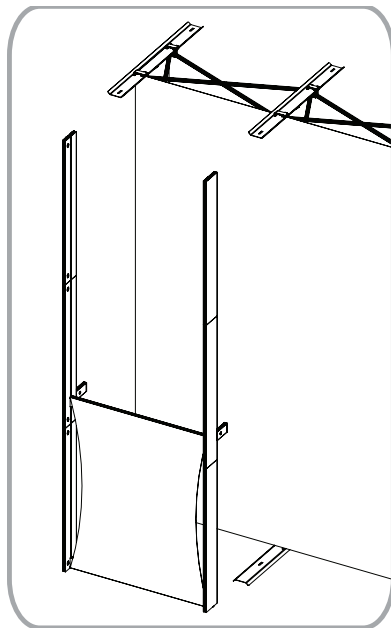
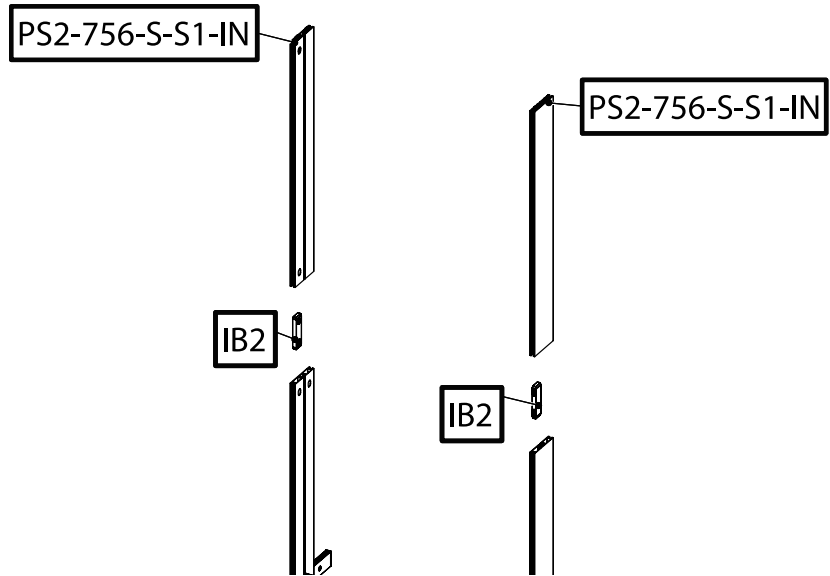
***Note:** All PS2-756-S1-S1-IN pieces are the same length.

Lock PH-90-L onto the rear channel of the PS2-756-S1-S1-IN at location shown in image. With Allen Key tool, turn only one quarter turn to lock into place. Silicon graphic edge (DS-FCE-2-G-DIM) will push into the channel on the FC-726.

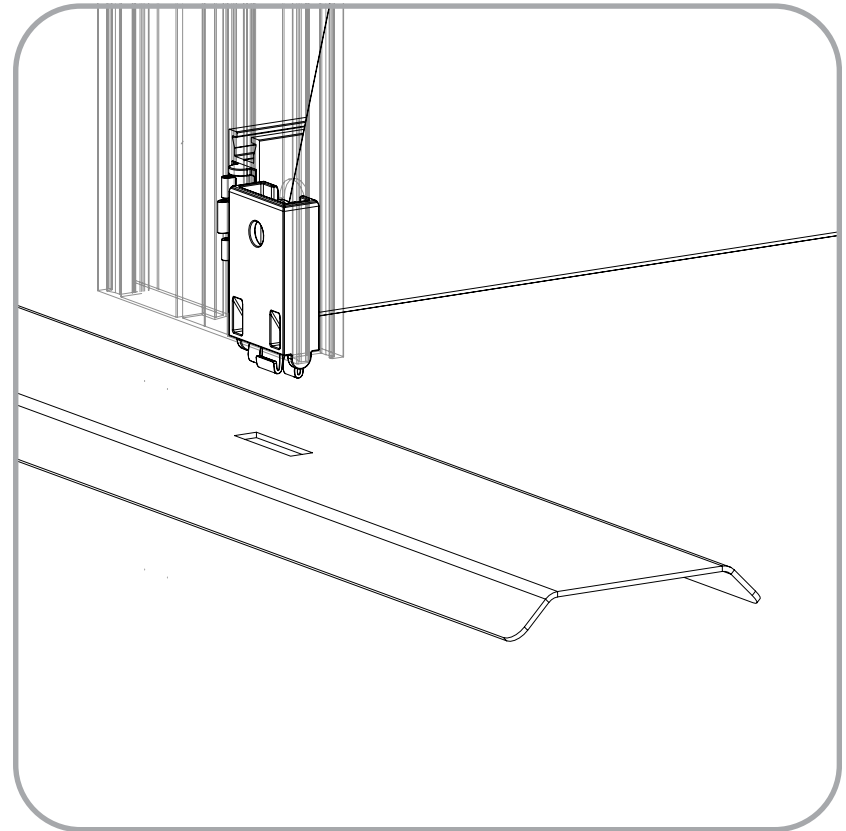


STEP 3 CONTINUED:

Assemble top of frame by inserting IB2 into hole locations on PS2-756-S1-S1-IN.
With Allen Key tool, turn one quarter turn to lock into place.

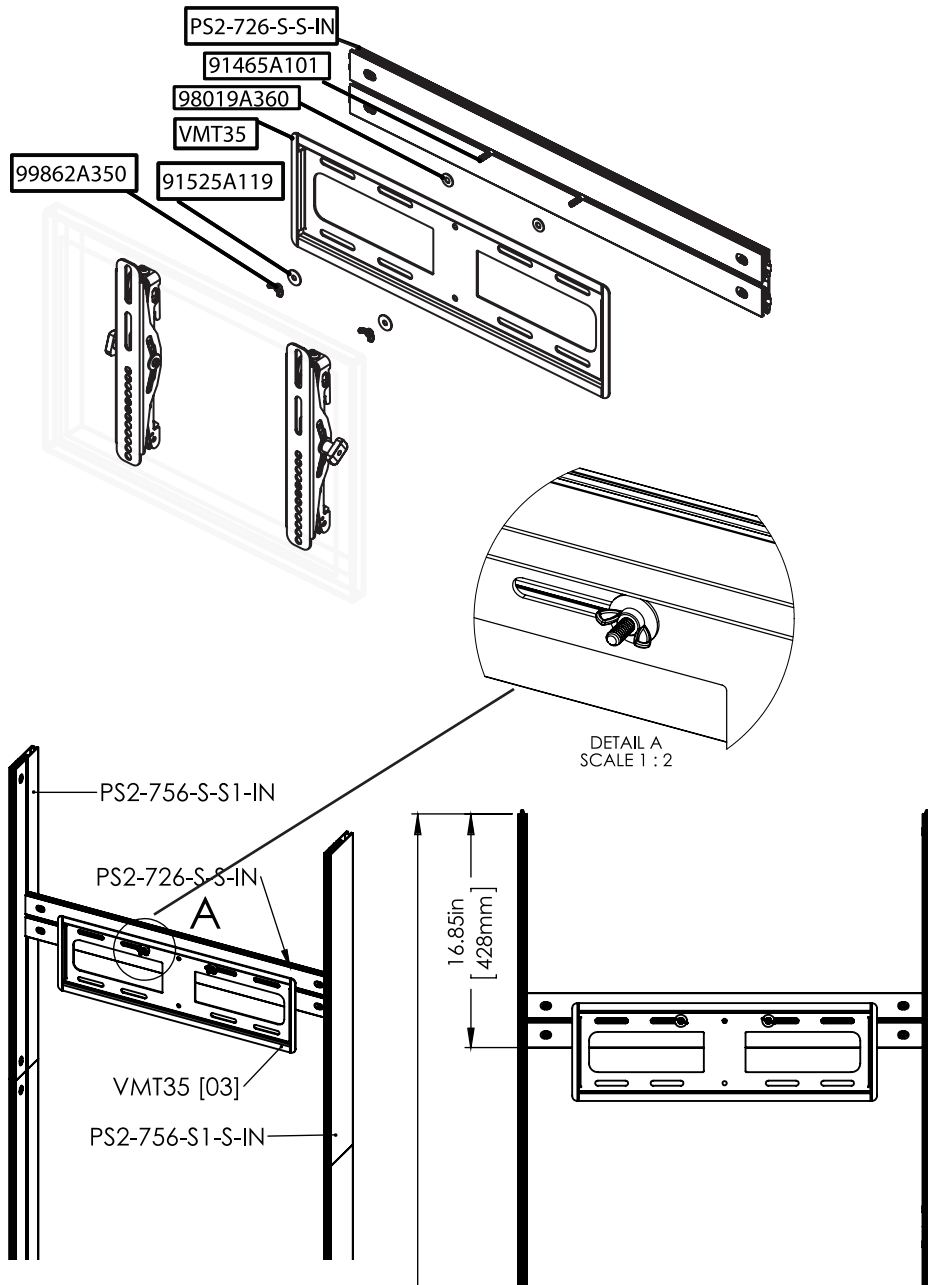


Lock extrusion frame onto top and bottom stabilizing feet, using fixed cam lock. With Allen Key tool, turn one quarter turn to lock into place.

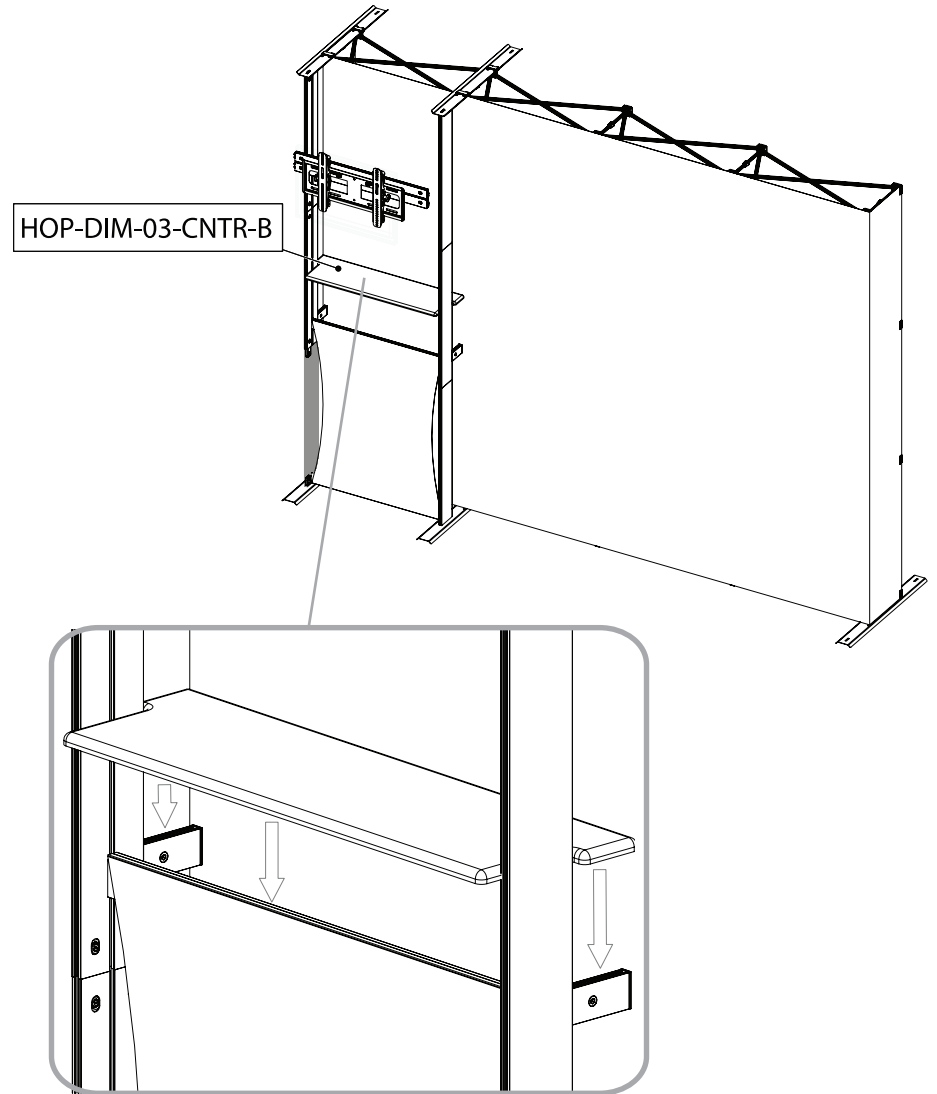


STEP 4: ATTACH ACCESSORIES

Assemble LN-LCD2-B monitor mount, then attach to frame. PS2-726-S-S-IN with monitor mount attachment should lock into place at 16.85 inches from top of unit. With Allen Key tool, turn one quarter turn to lock into place.

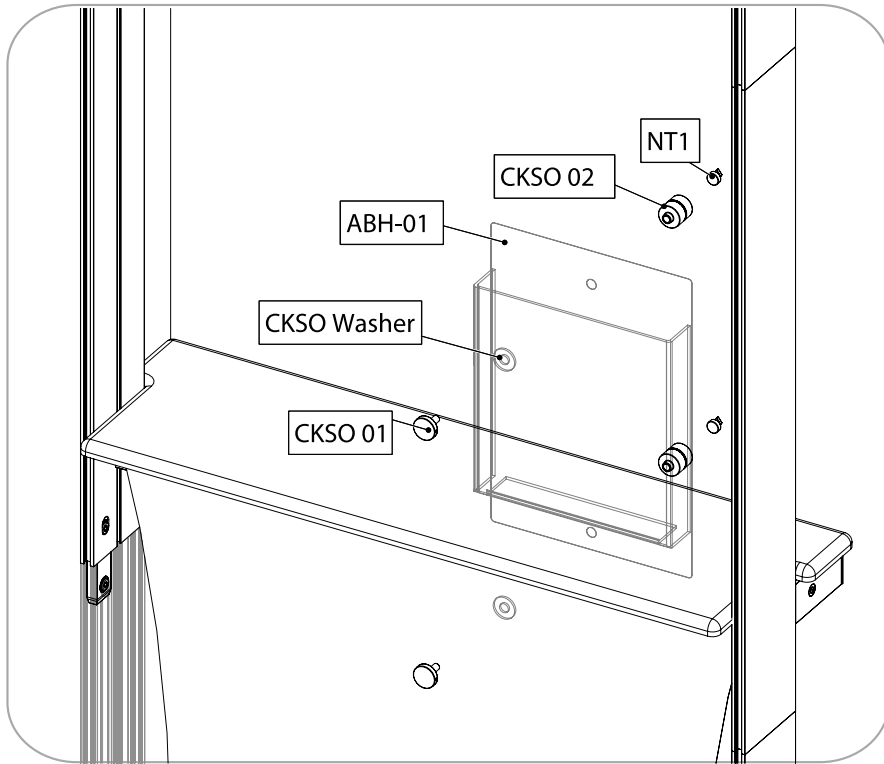


Attach shelf to frame. Lay shelf flat onto counter frame.

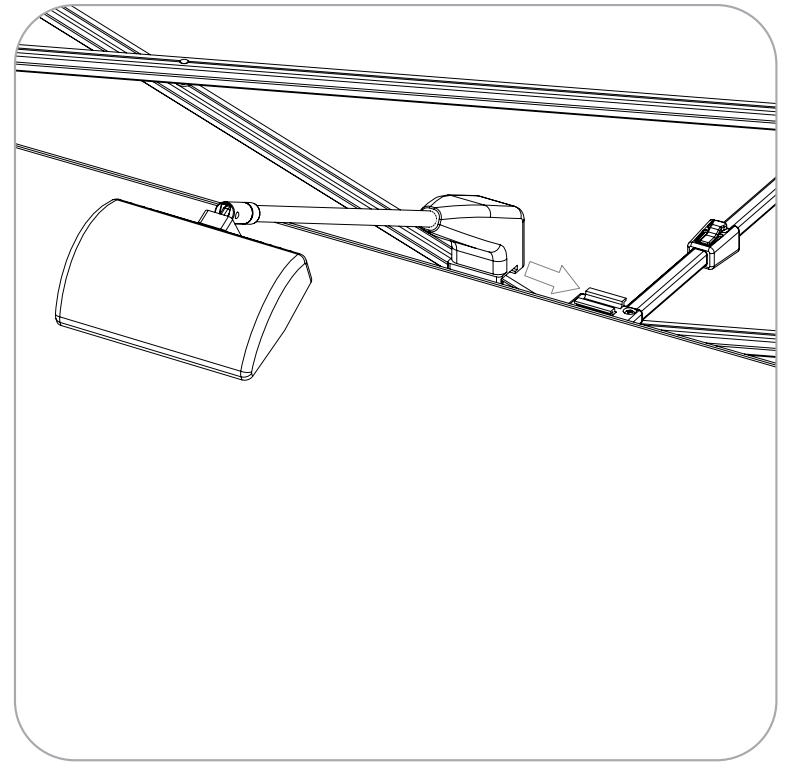


STEP 4 CONTINUED:

Attach the literature pocket to the extrusion.

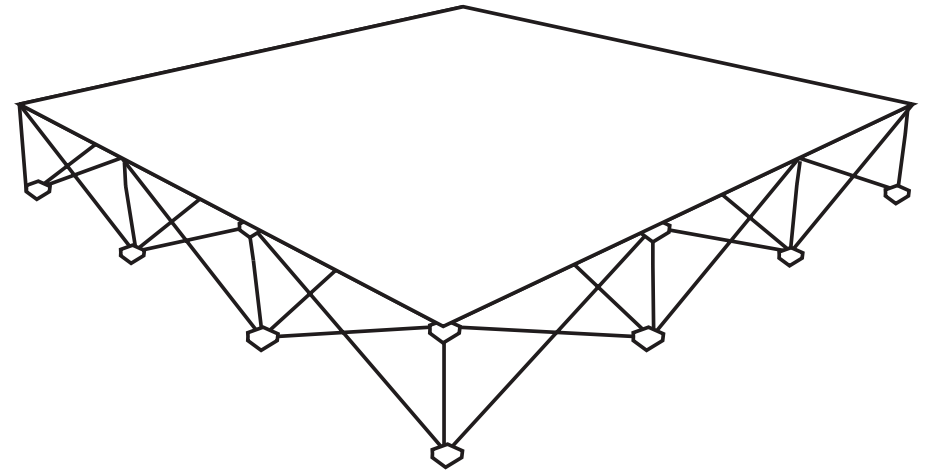
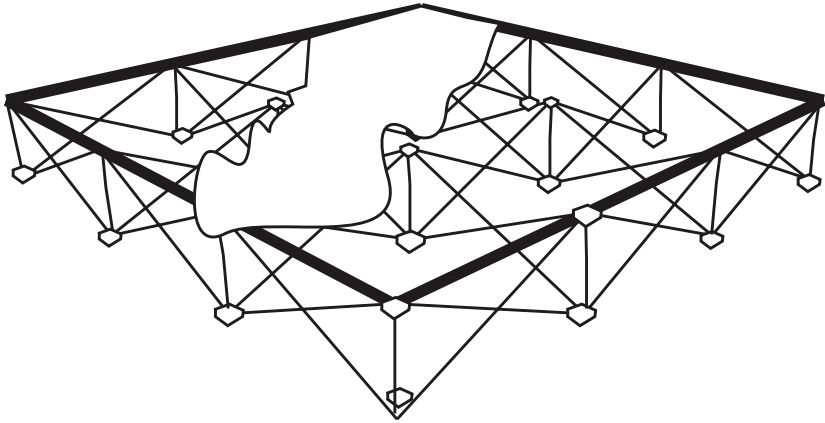


Attach lights by sliding light onto the dovetail on the hub at the top of the frame.



HOPUP GRAPHIC ATTACHMENT:

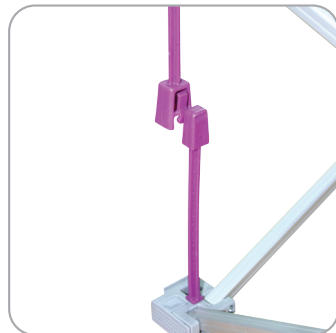
Graphic comes pre-attached to frame. Graphic attaches to the frame with Velcro. To re-attach start in one corner and move on to the next. Graphic application is then complete.



to ensure quality, please note:



If the webbing is wrapped around the purple locking arm, the arm can snap off when opening the unit.



When setting up, ensure that the arms are aligned. If not, the arms will snap when pressure is applied.



When packing unit in the bag, ensure that the strap is not partially wrapped around an arm. If it is, the arm will snap when pulled out of the bag.



When placing in a non-roller bag, ensure that arms are not outside of the bag.



Do not use the purple locking arm to lift unit. ALWAYS lift by the frame.